

# Watertight Wiring Devices Product Line Bulletin

**NEW**  
**Cross Reference**  
**Tables See**  
**Pages 9-12**



**LEVITON**  
**Wetguard**<sup>®</sup>

Leviton Wetguard<sup>®</sup>  
Plugs, Connectors,  
and Receptacles

Meets IP and NEMA  
Watertight Standards



# Wetguard® Product Line



## Table of Contents

**LIFETIME WARRANTY**



**Wetguard Products**  
Are Engineered to Meet or Exceed UL and IEC Watertight Standards

**Plugs & Connectors**  
mated or with closure caps  
meet IP66 & IP67 Standards

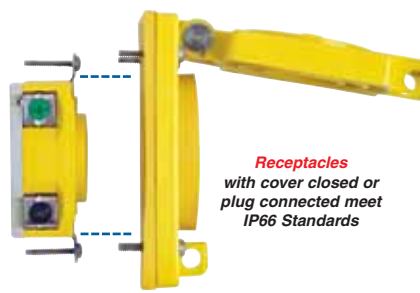
**All Wetguard Devices**  
Type 3, 3S, 4, 4X, 6 & 6P



26W47



27W47-B



67W47



23CM-10

**Receptacles**  
with cover closed or  
plug connected meet  
IP66 Standards

**Wetguard® Plugs, Connectors & Receptacles**

POLES/WIRES	AMPS	VOLTS	NEMA	PLUG		CONNECTOR W/ CLOSURE CAP		CORROSION RESISTANT RECEPTACLE, COVER, GASKET	CORROSION RESISTANT RECEPTACLE	PAGE NO.
				YELLOW	BLACK	YELLOW	BLACK			
<b>Straight Blade</b> 2-Pole 3-Wire Grounding	15	125V	5-15	14W47	14W47-B	15W47	15W47-B	60W47	5261-CR	3
		250V	6-15	14W49	-	15W49	-	60W49	5661-CR	3
		277V AC	7-15	14W34	-	15W34	-	-	-	3
	20	125V	5-20	14W33	-	15W33	-	60W33	5361-CR	4
		250V	6-20	14W48	-	15W48	-	60W48	5461-CR	4
		277V AC	L7-20	26W49	-	27W49	-	67W49	23CM-30	4
<b>Locking</b> 2-Pole 3-Wire Grounding	15	125V	L5-15	24W47	-	25W47	-	65W47	47CM-10	3
		250V	L6-15	24W49	-	25W49	-	65W49	45CM-60	3
		277V AC	L7-15	24W34	-	25W34	-	65W34	47CM-60	3
	20	125V	L5-20	26W47	26W47-B	27W47	27W47-B	67W47	23CM-10	4
		250V	L6-20	26W48	-	27W48	-	67W48	23CM-20	4
		277V AC	L7-20	26W49	-	27W49	-	67W49	23CM-30	4
<b>Locking</b> 3-Pole 4-Wire Grounding	20	125/250V	L14-20	26W74	-	27W74	-	67W74	24CM-10	5
		3ø 250V	L15-20	26W75	-	27W75	-	67W75	24CM-20	5
		3ø 480V	L16-20	26W76	-	27W76	-	67W76	24CM-30	5
<b>Locking</b> 3-Pole 3-Wire Non-Grounding	20	125/250V	Non-NEMA	26W08	-	27W08	-	67W08*	7310-B*	5
<b>Locking</b> 4-Pole 4-Wire Non-Grounding	20	3øY 120/208V	Non-NEMA	26W09	-	27W09	-	67W09*	7410-B*	6
<b>Locking</b> 4-Pole 5-Wire Grounding	20	3øY 120/208V	L21-20	26W81	26W81-B	27W81	27W81-B	67W81*	2510*	6
		3øY 277/480V	L22-20	26W82	-	27W82	-	67W82*	2520*	6
		3øY 347/600V	L23-20	26W83	-	27W83	-	67W83*	2530*	6
<b>Locking</b> 2-Pole 3-Wire Grounding	30	125V	L5-30	28W47	28W47-B	29W47	29W47-B	69W47	26CM-10	7
		250V	L6-30	28W48	-	29W48	-	69W48	26CM-20	7
		277V AC	L7-30	28W49	-	29W49	-	69W49*	2630*	7
<b>Locking</b> 3-Pole 4-Wire Grounding	30	125/250V	L14-30	28W74	-	29W74	-	69W74	27CM-10	7
		3ø 250V	L15-30	28W75	-	29W75	-	69W75	27CM-20	7
		3ø 480V	L16-30	28W76	-	29W76	-	69W76*	2730*	7
		3ø 600V	L17-30	28W77	-	29W77	-	69W77*	2740*	8
<b>Locking</b> 3-Pole 3-Wire Non-Grounding	30	125/250V	Non-NEMA	28W08	-	29W08	-	69W08*	3330*	8
<b>Locking</b> 4-Pole 4-Wire Non-Grounding	30	3øY 120/208V	Non-NEMA	28W09	-	29W09	-	69W09*	3430*	8
<b>Locking</b> 4-Pole 5-Wire Grounding	30	3øY 120/208V	L21-30	28W81	-	29W81	-	69W81*	2810*	8
		3øY 277/480V	L22-30	28W82	-	29W82	-	69W82*	2820*	8
		3øY 347/600V	L23-30	28W83	-	29W83	-	69W83*	2830*	8

\* Non-corrosion resistant receptacle





**LIFETIME WARRANTY**

**UL 498 Listed**  
**Federal Specification WC-596 Listed**  
**CSA Specification C22.2 No.42 Certified**

WETGUARD PRODUCTS MEET IP AND NEMA WATERTIGHT STANDARDS



Wetguard Products Are Engineered to Meet or Exceed UL and IEC Watertight Standards



Superior Performance - Superior Safety  
**Plugs & Connectors** mated or with closure caps meet IP66 & IP67 Standards



Clear back cover on wiring module for easy inspection of wired terminals

Rubber body is molded to bondable nylon substrate to maximize sealing capability

EPTB rubber parts resist water and most acids, alkalis, grease, oil, and solvents. Offers UV stability and resists fungal growth

Heavy-duty, one-piece nickel-plated brass contacts for maximum conductivity

NEMA configuration number and rating molded onto device face

Cord Ranges 0.375" min., 1.125" max.

Module and husk keyed for alignment

Deep-fluted finger grips make for a firm grip when tightening nut

**26W47**

Non-magnetic stainless steel body assembly screws prevent electro-magnetic interference

Extra large, deep wiring wells for quick, easy insertion of stranded conductors

Combination Phillips/standard assembly screws (Robertson/Slotted for Canada)

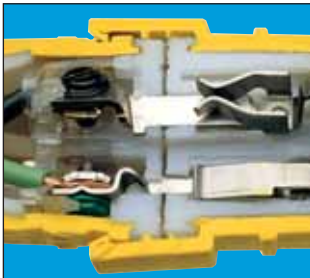
Innovative strain relief system and compression nut provide a watertight seal and prevent cord slippage

Nickel-plated brass blades, contacts, wiring screws and lugs resist corrosion

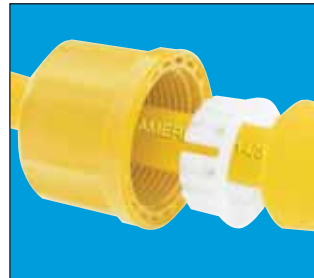
**National Electrical Code Article 100**  
Watertight: Constructed so that moisture will not enter the enclosure under specified test conditions



Superior Performance - Superior Safety



Interlocking tongue and groove construction forms barrier against entry of dirt and moisture.



Multi-point sealing system utilizes a nut strain relief washer and a rubber bushing to form a watertight cord grip seal.



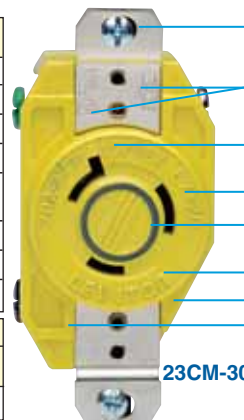
Corrosion resistant brass nickel-plated blades pass 500 Hr. salt spray test.



Single piece high-conductivity rivetless contacts reduce potential for overheating.

COMPONENT	DESCRIPTION
Body	Ethylene Propylene Thermoplastic Rubber
Compression Nut; Strain Relief	Nylon
Wiring Module	Thermoplastic
Bushing	Ethylene Propylene Thermoplastic Rubber
Blades/Contacts; Terminal Clamps	Nickel-Plated Brass
Terminal Screws	Nickel-Plated #10 Brass
Assembly Screws	Stainless Steel 300 Series
Wiring Module	Bondable Nylon

STANDARDS & CERTIFICATIONS					
NEMA WD-6	ANSI C-73	UL 498	UL Fed Spec WC-596	CSA C22.2 No. 42	NOM
✓	✓	✓	#E13393	#LR-406	#057



Extra thick 0.050" nickel-plated brass mounting strap  
Stamped-in agency certifications  
Amperage & voltage rating  
NEMA line number  
Color-coded voltage rating  
Manufacturer  
Uni-body face  
Stability ribs

**23CM-30**

**V-0-MAX**  
CORROSION RESISTANT  
FLUSH RECEPTACLES-UL V-0 RATING

V-0-MAX have a one-piece 0.040" thick brass, high-copper content contacts with nickel-plated clamp type terminals.

Color-Coded Voltage Ratings		
125V	250V	277V AC
125/250V	3ø250V	3ø480V

**FLAMMABILITY CLASSIFICATIONS**  
The UL 94 20mm Vertical Burning Test compares plastic materials in terms of three burning characteristics: Relative Speed of Burning, Ability to Extinguish Fire and Inability to Propagate Fire. The V-0-MAX Receptacle materials have earned the best rating possible: V-0

Wetguard® Plugs, Connectors & Receptacles



# 15 Amp 2-P 3-W

**LIFETIME  
WARRANTY**

**Wetguard® Straight Blade & Locking Plugs, Connectors & Receptacles**

ELECTRICAL	
<b>DIELECTRIC VOLTAGE</b>	<b>CURRENT INTERRUPT.</b>
Withstands 2000V per UL 498	Full rated current
<b>TEMP. RISE</b>	
Max 30°C after 250 cycles of overload at 200% of rated current	

MECHANICAL							
TERMINAL I.D.	PRODUCT I.D.	DEVICE TYPE	CORD GRIP RANGE				
Brass, hot	Ratings & NEMA I.D. permanently marked on device	15 & 20A Straight Blade & 15A Locking - 3-Wire	(.375" - .655") #18-#10 AWG				
Grounding		20A Locking 3-, 4- & 5-Wire	(.375" - .875") #18-#10 AWG				
White, neutral		30A Locking 3-, 4- & 5-Wire	(.625" - 1.125") #12-#8 AWG				
ENVIRONMENTAL			STANDARDS & CERTIFICATIONS				
<b>FLAMMABILITY</b>	<b>OPERATING TEMP.</b>	<b>NEMA WD-6</b>	<b>ANSI C-73</b>	<b>UL 498</b>	<b>UL Fed Spec Listed WC-596</b>	<b>CSA C22.2 No.42</b>	<b>NOM</b>
Plugs & Connectors Rated V-2 per UL 94	Receptacles Rated V-0 per UL 94	-40°C to 60°C	✓	✓	✓	Plugs & Connectors #E13393 Receptacles #E13399	#LR-406 #057



**Plugs & Connectors**  
mated or with closure caps  
meet IP66 & IP67 Standards



**Wetguard Products**  
Are Engineered to Meet or Exceed UL and IEC Watertight Standards



14W47



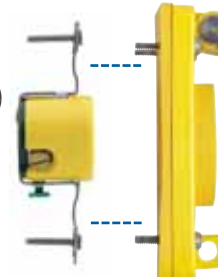
14W47-B



15W47



15W47-B



60W47

**Receptacles**  
with cover closed or  
plug connected meet  
IP66 Standards

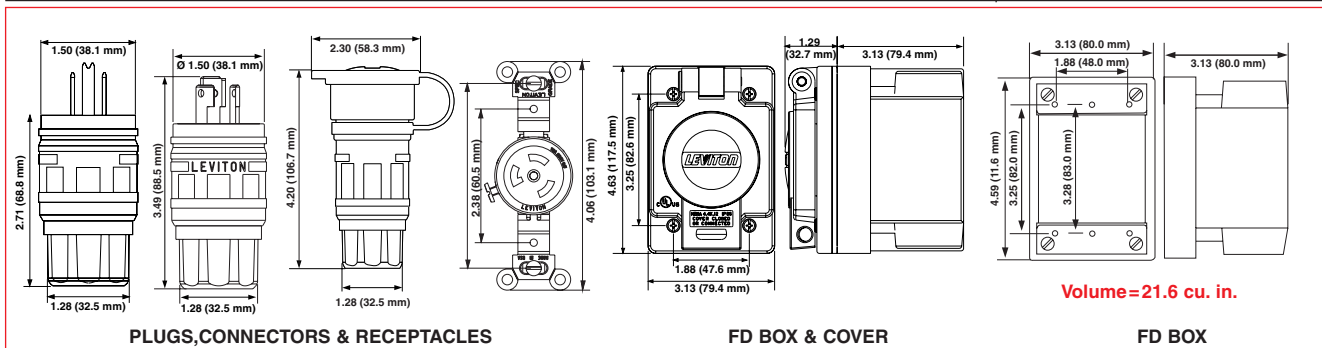
**All Wetguard Devices**  
Type 3, 3S, 4, 4X, 6 & 6P



47CM-10

TYPE-EPTR	PLUG	NEMA PLUG	CONNECTOR w/ CLOSURE CAP	CORROSION RESISTANT RECEPTACLE, COVER, GASKET	CORROSION RESISTANT RECEPTACLE	NEMA RECEPTACLE
<b>15A 125V, 2-P 3-W, Grounding</b>						
Yellow Rubber	14W47	5-15P	15W47	60W47	5261-CR	5-15R
Black Rubber	14W47-B		15W47-B	See Below for Black Catalog No.	-	
<b>15A 250V, 2-P 3-W, Grounding</b>						
Yellow Rubber	14W49	6-15P	15W49	60W49	5661-CR	6-15R
<b>15A 277V, 2-P 3-W, Grounding</b>						
Yellow Rubber	14W34	7-15P	15W34	-	-	7-15R
<b>15A 125V, 2-P 3-W, Grounding</b>						
Yellow Rubber	24W47	L5-15P	25W47	65W47	47CM-10	L5-15R
<b>15A 250V, 2-P 3-W, Grounding</b>						
Yellow Rubber	24W49	L6-15P	25W49	65W49	45CM-60	L6-15R
<b>15A 277V, 2-P 3-W, Grounding</b>						
Yellow Rubber	24W34	L7-15P	25W34	65W34	47CM-60	L7-15R

CONNECTOR CAPS For Black Caps, Add Suffix -B	PLUG CAPS For Black Caps, Add Suffix -B	COVER w/ GASKET For Black Covers, Add Suffix -B	BLANK PLATE w/ GASKET	FD BOX GLASS-FILLED POLYESTER (2 KO Openings)
<b>Yellow</b> 15/20A Str.Blade & 15A Locking 50W50 20A Locking 50W52 30A Locking 50W54	<b>Yellow</b> 15/20A Str.Blade & 15A Locking 14W 20A Locking 26W 30A Locking 28W	<b>Yellow</b> 15/20A Str.Blade & 15A Locking 60W03 20A Locking 60W04 30A Locking 60W05	<b>Yellow</b> WP459	<b>Yellow</b> 1/2" 452CR 3/4" 453CR 1" 454CR





**LIFETIME  
WARRANTY**

ELECTRICAL	
<b>DIELECTRIC VOLTAGE</b>	<b>CURRENT INTERRUPT.</b>
Withstands 2000V per UL 498	Full rated current
<b>TEMP. RISE</b>	
Max 30°C after 250 cycles of overload at 200% of rated current	

MECHANICAL							
TERMINAL I.D.	PRODUCT I.D.	DEVICE TYPE			CORD GRIP RANGE		
Brass, hot Grounding White, neutral	Ratings & NEMA I.D. permanently marked on device	15 & 20A Straight Blade & 15A Locking - 3-Wire 20A Locking 3-, 4- & 5-Wire 30A Locking 3-, 4- & 5-Wire			(1.375" - 1.625") #18-#10 AWG (1.375" - 1.875") #18-#10 AWG (1.625" - 1.125") #12-#8 AWG		
ENVIRONMENTAL			STANDARDS & CERTIFICATIONS				
FLAMMABILITY	OPERATING TEMP.	NEMA WD-6	ANSI C-73	UL 498	UL Fed Spec Listed WC-596	CSA C22.2 No.42	NOM
Plugs & Connectors Rated V-2 per UL 94 Receptacles Rated V-0 per UL 94	-40°C to 60°C	✓	✓	✓	Plugs & Connectors #E13393 Receptacles #E13399	#LR-406	#057



**Wetguard Products**  
Are Engineered to Meet or Exceed UL and IEC Watertight Standards

**Plugs & Connectors**  
mated or with closure caps meet IP66 & IP67 Standards



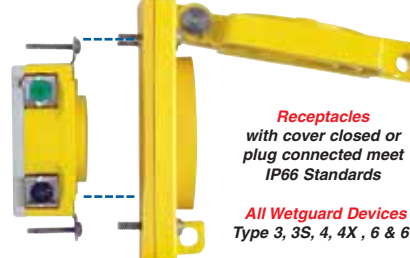
26W47



27W47



27W47-B



67W47



23CM-10

**Receptacles**  
with cover closed or plug connected meet IP66 Standards

**All Wetguard Devices**  
Type 3, 3S, 4, 4X, 6 & 6P

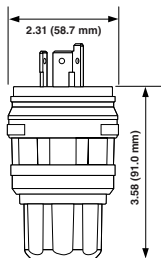
TYPE-EPTR	PLUG	NEMA PLUG	CONNECTOR w/ CLOSURE CAP	CORROSION RESISTANT RECEPTACLE, COVER, GASKET	CORROSION RESISTANT RECEPTACLE	NEMA RECEPTACLE
<b>20A 125V, 2-P 3-W, Grounding</b>						
Yellow EPTR	14W33	5-20P	15W33	60W33	5361-CR	5-20R
<b>20A 250V, 2-P 3-W, Grounding</b>						
Yellow EPTR	14W48	6-20P	15W48	60W48	5461-CR	6-20R
<b>20A 125V, 2-P 3-W, Grounding</b>						
Yellow EPTR	26W47	L5-20P	27W47	67W47	23CM-10	L5-20R
Black EPTR	26W47-B		27W47-B	See Below for Black Catalog No.		
<b>20A 250V, 2-P 3-W, Grounding</b>						
Yellow EPTR	26W48	L6-20P	27W48	67W48	23CM-20	L6-20R
<b>20A 277V, 2-P 3-W, Grounding</b>						
Yellow EPTR	26W49	L7-20P	27W49	67W49	23CM-30	L7-20R

CONNECTOR CAPS For Black Caps, Add Suffix -B	PLUG CAPS For Black Caps, Add Suffix -B	COVER w/ GASKET For Black Covers, Add Suffix -B	BLANK PLATE w/ GASKET	FD BOX GLASS-FILLED POLYESTER (2 KO Openings)
 Yellow 15/20A Str Blade & 15A Locking 50W50 20A Locking 50W52 30A Locking 50W54	 Yellow 15/20A Str Blade & 15A Locking 14W 20A Locking 26W 30A Locking 28W	 Yellow 15/20A Str Blade & 15A Locking 60W03 20A Locking 60W04 30A Locking 60W05	 Yellow WP459	 Yellow 1/2" 452CR 3/4" 453CR 1" 454CR

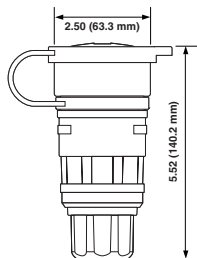


**Canadian Specifications: Applies to pages 3 & 4**

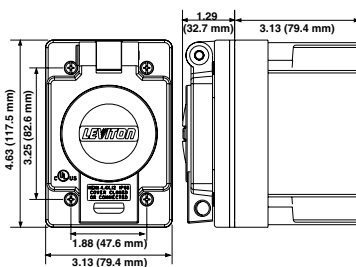
15W16 — NEMA 15-20, 15 Amp 347V AC and 15W18 — NEMA 24-20, 20 Amp 347V AC are available. Please consult factory for availability.



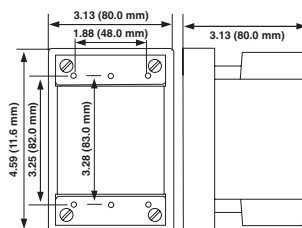
20A  
LOCKING PLUGS



20A  
LOCKING CONNECTORS



FD BOX & COVER



FD BOX

Volume=21.6 cu. in.

**Wetguard® Straight Blade & Locking Plugs, Connectors & Receptacles**





# 20 Amp 3-P 3-W 3-P 4-W



**LIFETIME WARRANTY**

ELECTRICAL	
<b>DIELECTRIC VOLTAGE</b>	<b>CURRENT INTERR.</b>
Withstands 2000V per UL 498	Full rated current
<b>TEMP. RISE</b>	
Max 30°C after 250 cycles of overload at 200% of rated current	

MECHANICAL									
TERMINAL I.D.	PRODUCT I.D.	DEVICE TYPE			CORD GRIP RANGE				
Brass, hot	Ratings & NEMA I.D. permanently marked on device	15 & 20A Straight Blade & 15A Locking - 3-Wire			(.375" - .655") #18-#10 AWG				
Green		20A Locking 3-, 4- & 5-Wire			(.375" - .875") #18-#10 AWG				
White, neutral		30A Locking 3-, 4- & 5-Wire			(.625" - 1.125") #12-#8 AWG				
ENVIRONMENTAL				STANDARDS & CERTIFICATIONS					
<b>FLAMMABILITY</b>		<b>OPERATING TEMP.</b>		<b>NEMA WD-6</b>	<b>ANSI C-73</b>	<b>UL 498</b>	<b>UL Fed Spec Listed WC-596</b>	<b>CSA C22.2 No.42</b>	<b>NOM</b>
Plugs & Connectors Rated V-2 per UL 94		Receptacles Rated V-0 per UL 94		-40°C to 60°C	✓	✓	✓	Plugs & Connectors #E13393	Receptacles #E13399
								#LR-406	#057



**Wetguard Products** Are Engineered to Meet or Exceed UL and IEC Watertight Standards

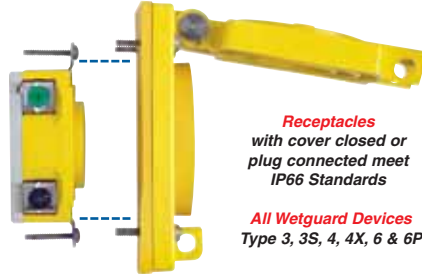


26W76

**Plugs & Connectors** mated or with closure caps meet IP66 & IP67 Standards



27W74



67W74

**Receptacles** with cover closed or plug connected meet IP66 Standards

**All Wetguard Devices** Type 3, 3S, 4, 4X, 6 & 6P



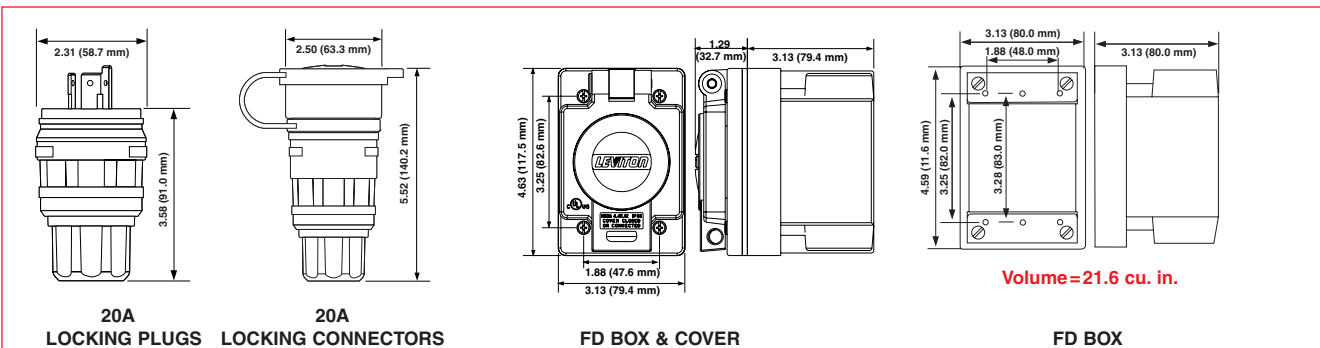
24CM-10

TYPE-EPTR	PLUG	NEMA PLUG	CONNECTOR w/ CLOSURE CAP	CORROSION RESISTANT RECEPTACLE, COVER, GASKET	CORROSION RESISTANT RECEPTACLE	NEMA RECEPTACLE
<b>20A 125/250V, 3-P 4-W, Grounding</b>						
Yellow EPTR	26W74	L14-20P	27W74	67W74	24CM-10	L14-20R
<b>20A 3ø 250V, 3-P 4-W, Grounding</b>						
Yellow EPTR	26W75	L15-20P	27W75	67W75	24CM-20	L15-20R
<b>20A 3ø 480V, 3-P 4-W, Grounding</b>						
Yellow EPTR	26W76	L16-20P	27W76	67W76	24CM-30	L16-20R
<b>20A 125/250V, Non-NEMA, 3-P 3-W, Non-Grounding, Non UL Listed - for Replacement Use Only</b>						
Yellow EPTR	26W08	Non-NEMA	27W08	67W08*	7310-B**	Non-NEMA

\* Non-corrosion resistant receptacle

\*\* 20A/250V, 10A/600V 2-P 3-W Grounding Version Available (Cat. No. 7310-BG)

CONNECTOR CAPS For Black Caps, Add Suffix -B	PLUG CAPS For Black Caps, Add Suffix -B	COVER w/ GASKET For Black Covers, Add Suffix -B	BLANK PLATE w/ GASKET	FD BOX GLASS-FILLED POLYESTER (2 KO Openings)
<ul style="list-style-type: none"> <li>Yellow</li> <li>15/20A Str.Blade &amp; 15A Locking</li> <li>50W50</li> <li>20A Locking</li> <li>50W52</li> <li>30A Locking</li> <li>50W54</li> </ul>	<ul style="list-style-type: none"> <li>Yellow</li> <li>15/20A Str.Blade &amp; 15A Locking</li> <li>14W</li> <li>20A Locking</li> <li>26W</li> <li>30A Locking</li> <li>28W</li> </ul>	<ul style="list-style-type: none"> <li>Yellow</li> <li>15/20A Str.Blade &amp; 15A Locking</li> <li>60W03</li> <li>20A Locking</li> <li>60W04</li> <li>30A Locking</li> <li>60W05</li> </ul>	<ul style="list-style-type: none"> <li>Yellow</li> <li>WP459</li> </ul>	<ul style="list-style-type: none"> <li>Yellow</li> <li>1/2"</li> <li>452CR</li> <li>3/4"</li> <li>453CR</li> <li>1"</li> <li>454CR</li> </ul>





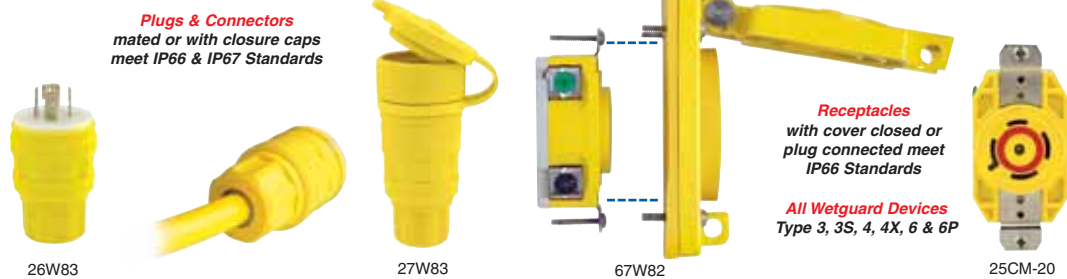
**LIFETIME WARRANTY**

ELECTRICAL	
<b>DIELECTRIC VOLTAGE</b>	<b>CURRENT INTERRUPT.</b>
Withstands 2000V per UL 498	Full rated current
<b>TEMP. RISE</b>	
Max 30°C after 250 cycles of overload at 200% of rated current	

MECHANICAL									
<b>TERMINAL I.D.</b>	<b>PRODUCT I.D.</b>	<b>DEVICE TYPE</b>			<b>CORD GRIP RANGE</b>				
Brass, hot	Ratings & NEMA I.D. permanently marked on device	15 & 20A Straight Blade & 15A Locking - 3-Wire			(.375" - .655") #18-#10 AWG				
Grounding		20A Locking 3-,4- & 5-Wire			(.375" - .875") #18-#10 AWG				
White, neutral		30A Locking 3-,4- & 5-Wire			(.625" - 1.125") #12-#8 AWG				
ENVIRONMENTAL				STANDARDS & CERTIFICATIONS					
<b>FLAMMABILITY</b>		<b>OPERATING TEMP.</b>		<b>NEMA WD-6</b>	<b>ANSI C-73</b>	<b>UL 498</b>	<b>UL Fed Spec Listed WC-596</b>	<b>CSA C22.2 No.42</b>	<b>NOM</b>
Plugs & Connectors Rated V-2 per UL 94		Receptacles Rated V-0 per UL 94		-40°C to 60°C		✓	✓	✓	Plugs & Connectors #E13393 Receptacles #E13399 #LR-406 #057



**Wetguard Products**  
Are Engineered to Meet or Exceed UL and IEC Watertight Standards



**Plugs & Connectors**  
mated or with closure caps meet IP66 & IP67 Standards

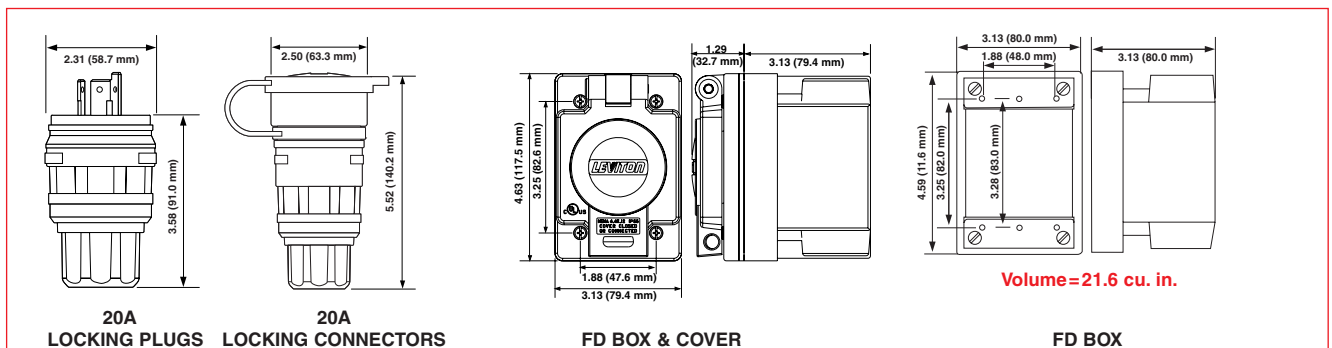
**Receptacles**  
with cover closed or plug connected meet IP66 Standards

**All Wetguard Devices**  
Type 3, 3S, 4, 4X, 6 & 6P

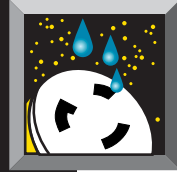
TYPE-EPTR	PLUG	NEMA PLUG	CONNECTOR w/ CLOSURE CAP	RECEPTACLE, CORROSION RESISTANT COVER & GASKET	RECEPTACLE	NEMA RECEPTACLE
<b>20A 3ØY 120/208V, Non-NEMA, 4-P 4-W, Non-Grounding, Non UL Listed - for Replacement Use Only</b>						
Yellow EPTR	26W09	Non-NEMA	27W09	67W09*	7410-B**	Non-NEMA
<b>20A 3ØY 120/208V, 4-P 5-W, Grounding</b>						
Yellow EPTR Black EPTR	26W81 26W81-B	L21-20P	27W81 27W81-B	67W81* See Below for Black Catalog No.	2510* -	L21-20R
<b>20A 3ØY 277/480V, 4-P 5-W, Grounding</b>						
Yellow EPTR	26W82	L22-20P	27W82	67W82*	2520*	L22-20R
<b>20A 3ØY 347/600V, 4-P 5-W, Grounding</b>						
Yellow EPTR	26W83	L23-20P	27W83	67W83*	2530*	L23-20R

\* Non-corrosion resistant receptacle  
\*\* 20A/250V, 10A/600V 3-P 4-W Grounding Version Available (Cat. No. 7410-BG)

CONNECTOR CAPS For Black Caps, Add Suffix -B	PLUG CAPS For Black Caps, Add Suffix -B	COVER w/ GASKET For Black Covers, Add Suffix -B	BLANK PLATE w/ GASKET	FD BOX GLASS-FILLED POLYESTER (2 KO Openings)																														
<table border="1"> <tr><td><b>Yellow</b></td></tr> <tr><td>15/20A Str.Blade &amp; 15A Locking</td></tr> <tr><td>50W50</td></tr> <tr><td>20A Locking</td></tr> <tr><td>50W52</td></tr> <tr><td>30A Locking</td></tr> <tr><td>50W54</td></tr> </table>	<b>Yellow</b>	15/20A Str.Blade & 15A Locking	50W50	20A Locking	50W52	30A Locking	50W54	<table border="1"> <tr><td><b>Yellow</b></td></tr> <tr><td>15/20A Str.Blade &amp; 15A Locking</td></tr> <tr><td>14W</td></tr> <tr><td>20A Locking</td></tr> <tr><td>26W</td></tr> <tr><td>30A Locking</td></tr> <tr><td>28W</td></tr> </table>	<b>Yellow</b>	15/20A Str.Blade & 15A Locking	14W	20A Locking	26W	30A Locking	28W	<table border="1"> <tr><td><b>Yellow</b></td></tr> <tr><td>15/20A Str.Blade &amp; 15A Locking</td></tr> <tr><td>60W03</td></tr> <tr><td>20A Locking</td></tr> <tr><td>60W04</td></tr> <tr><td>30A Locking</td></tr> <tr><td>60W05</td></tr> </table>	<b>Yellow</b>	15/20A Str.Blade & 15A Locking	60W03	20A Locking	60W04	30A Locking	60W05	<table border="1"> <tr><td><b>Yellow</b></td></tr> <tr><td>WP459</td></tr> </table>	<b>Yellow</b>	WP459	<table border="1"> <tr><td><b>Yellow</b></td></tr> <tr><td>1/2"</td></tr> <tr><td>452CR</td></tr> <tr><td>3/4"</td></tr> <tr><td>453CR</td></tr> <tr><td>1"</td></tr> <tr><td>454CR</td></tr> </table>	<b>Yellow</b>	1/2"	452CR	3/4"	453CR	1"	454CR
<b>Yellow</b>																																		
15/20A Str.Blade & 15A Locking																																		
50W50																																		
20A Locking																																		
50W52																																		
30A Locking																																		
50W54																																		
<b>Yellow</b>																																		
15/20A Str.Blade & 15A Locking																																		
14W																																		
20A Locking																																		
26W																																		
30A Locking																																		
28W																																		
<b>Yellow</b>																																		
15/20A Str.Blade & 15A Locking																																		
60W03																																		
20A Locking																																		
60W04																																		
30A Locking																																		
60W05																																		
<b>Yellow</b>																																		
WP459																																		
<b>Yellow</b>																																		
1/2"																																		
452CR																																		
3/4"																																		
453CR																																		
1"																																		
454CR																																		



**Wetguard® Watertight Locking Plugs, Connectors & Receptacles**



# 30 Amp

# 2-P 3-W 3-P 4-W



**LIFETIME WARRANTY**

ELECTRICAL	
<b>DIELECTRIC VOLTAGE</b>	<b>CURRENT INTERR.</b>
Withstands 2000V per UL 498	Full rated current
<b>TEMP. RISE</b>	
Max 30°C after 250 cycles of overload at 200% of rated current	

MECHANICAL								
TERMINAL I.D.	PRODUCT I.D.	DEVICE TYPE	CORD GRIP RANGE					
Brass, hot	Ratings & NEMA I.D. permanently marked on device	15 & 20A Straight Blade & 15A Locking - 3-Wire	(.375" - .655") #18-#10 AWG					
Grounding		20A Locking 3-,4- & 5-Wire	(.375" - .875") #18-#10 AWG					
White,neutral		30A Locking 3-,4- & 5-Wire	(.625" - 1.125") #12-#8 AWG					
ENVIRONMENTAL				STANDARDS & CERTIFICATIONS				
<b>FLAMMABILITY</b>		<b>OPERATING TEMP.</b>	<b>NEMA WD-6</b>	<b>ANSI C-73</b>	<b>UL 498</b>	<b>UL Fed Spec Listed WC-596</b>	<b>CSA C22.2 No.42</b>	<b>NOM</b>
Plugs & Connectors Rated V-2 per UL 94	Receptacles Rated V-0 per UL 94	-40°C to 60°C	✓	✓	✓	Plugs & Connectors #E13393	Receptacles #E13399	#LR-406 #057



**Wetguard Products** Are Engineered to Meet or Exceed UL and IEC Watertight Standards



**Plugs & Connectors** mated or with closure caps meet IP66 & IP67 Standards

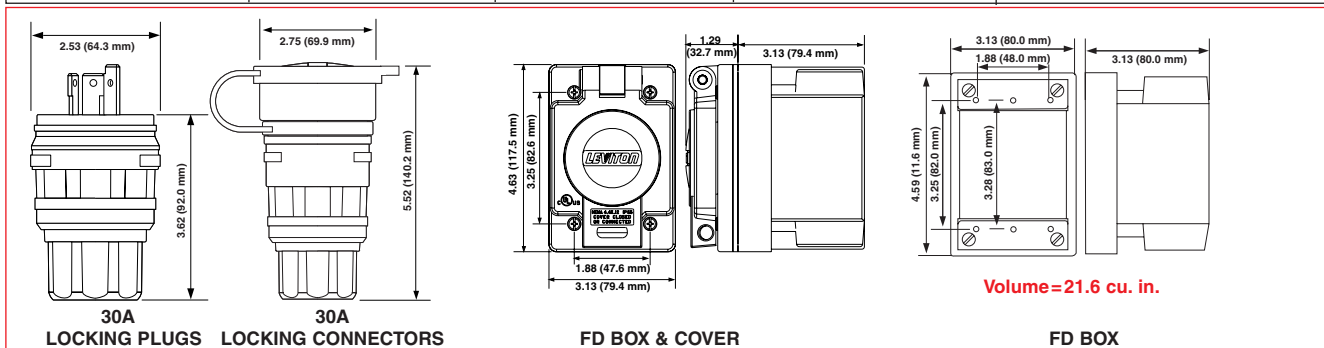
**Receptacles** with cover closed or plug connected meet IP66 Standards

**All Wetguard Devices** Type 3, 3S, 4, 4X, 6 & 6P

TYPE-EPTR	PLUG	NEMA PLUG	CONNECTOR w/ CLOSURE CAP	CORROSION RESISTANT RECEPTACLE, COVER, GASKET	CORROSION RESISTANT RECEPTACLE	NEMA RECEPTACLE
<b>30A 125V, 2-P 3-W, Grounding</b>						
Yellow EPTR	28W47	L5-30P	29W47	69W47	26CM-10	L5-30R
Black EPTR	28W47-B		29W47-B	See Below for Black Catalog No.	-	
<b>30A 250V, 2-P 3-W, Grounding</b>						
Yellow EPTR	28W48	L6-30P	29W48	69W48	26CM-20	L6-30R
<b>30A 277V, 2-P 3-W, Grounding</b>						
Yellow EPTR	28W49	L7-30P	29W49	69W49*	2630*	L7-30R
<b>30A 125/250V, 3-P 4-W, Grounding</b>						
Yellow EPTR	28W74	L14-30P	29W74	69W74	27CM-10	L14-30R
<b>30A 3ø 250V, 3-P 4-W, Grounding</b>						
Yellow EPTR	28W75	L15-30P	29W75	69W75	27CM-20	L15-30R
<b>30A 3ø 480V, 3-P 4-W, Grounding</b>						
Yellow EPTR	28W76	L16-30P	29W76	69W76*	2730*	L16-30R

\* Non-corrosion resistant receptacle

CONNECTOR CAPS For Black Caps, Add Suffix -B	PLUG CAPS For Black Caps, Add Suffix -B	COVER w/ GASKET For Black Covers, Add Suffix -B	BLANK PLATE w/ GASKET	FD BOX GLASS-FILLED POLYESTER (2 KO Openings)
<ul style="list-style-type: none"> <li>Yellow</li> <li>15/20A Str.Blade &amp; 15A Locking</li> <li>50W50</li> <li>20A Locking</li> <li>50W52</li> <li>30A Locking</li> <li>50W54</li> </ul>	<ul style="list-style-type: none"> <li>Yellow</li> <li>15/20A Str.Blade &amp; 15A Locking</li> <li>14W</li> <li>20A Locking</li> <li>26W</li> <li>30A Locking</li> <li>28W</li> </ul>	<ul style="list-style-type: none"> <li>Yellow</li> <li>15/20A Str.Blade &amp; 15A Locking</li> <li>60W03</li> <li>20A Locking</li> <li>60W04</li> <li>30A Locking</li> <li>60W05</li> </ul>	<ul style="list-style-type: none"> <li>Yellow</li> <li>WP459</li> </ul>	<ul style="list-style-type: none"> <li>Yellow</li> <li>1/2"</li> <li>452CR</li> <li>3/4"</li> <li>453CR</li> <li>1"</li> <li>454CR</li> </ul>



**Wetguard® Watertight Locking Plugs, Connectors & Receptacles**





**LIFETIME WARRANTY**

## 3-P 3-W 3-P 4-W 4P-4W 4-P 5-W

ELECTRICAL	
<b>DIELECTRIC VOLTAGE</b>	<b>CURRENT INTERRUPT.</b>
Withstands 2000V per UL 498	Full rated current
<b>TEMP. RISE</b>	
Max 30°C after 250 cycles of overload at 200% of rated current	

MECHANICAL											
<b>TERMINAL I.D.</b>	<b>PRODUCT I.D.</b>	<b>DEVICE TYPE</b>			<b>CORD GRIP RANGE</b>						
Brass, hot	Ratings & NEMA I.D. permanently marked on device	15 & 20A Straight Blade & 15A Locking - 3-Wire			(.375" - .655") #18-#10 AWG						
Grounding		20A Locking 3-,4- & 5-Wire			(.375" - .875") #18-#10 AWG						
White, neutral		30A Locking 3-,4- & 5-Wire			(.625" - 1.125") #12-#8 AWG						
<b>ENVIRONMENTAL</b>				<b>STANDARDS &amp; CERTIFICATIONS</b>							
<b>FLAMMABILITY</b>		<b>OPERATING TEMP.</b>		<b>NEMA WD-6</b>	<b>ANSI C-73</b>	<b>UL 498</b>	<b>UL Fed Spec Listed WC-696</b>	<b>CSA C22.2 No.42</b>	<b>NOM</b>		
Plugs & Connectors Rated V-2 per UL 94		Receptacles Rated V-0 per UL 94		-40°C to 60°C	✓	✓	✓	Plugs & Connectors #E13393	Receptacles #E13399	#LR-406	#057



**Wetguard Products** Are Engineered to Meet or Exceed UL and IEC Watertight Standards

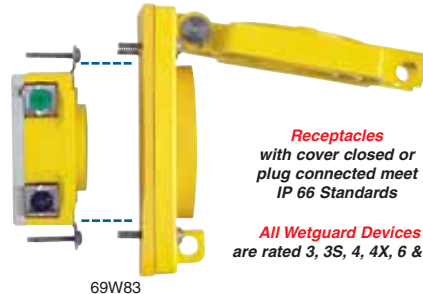


28W83

**Plugs & Connectors** mated or with closure caps meet IP66 & IP67 Standards



29W83



69W83

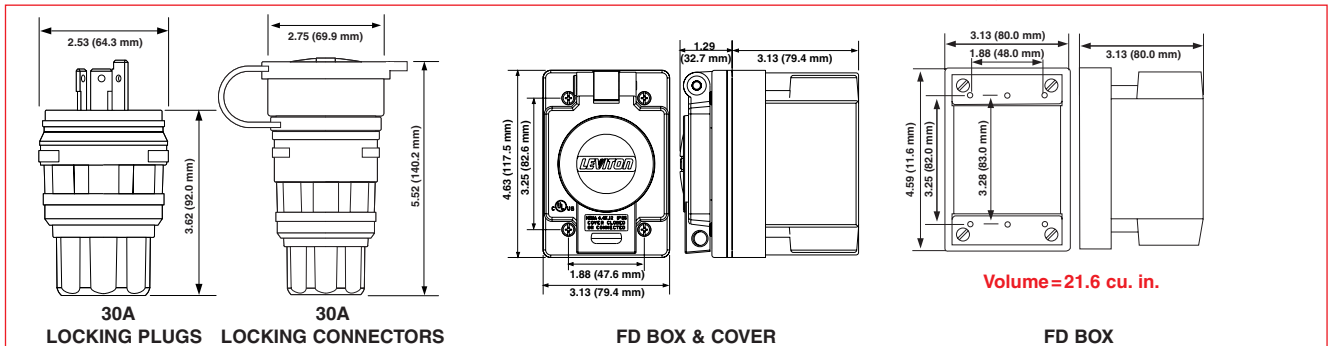
**Receptacles** with cover closed or plug connected meet IP 66 Standards

All Wetguard Devices are rated 3, 3S, 4, 4X, 6 & 6P

TYPE-EPTR	PLUG	NEMA PLUG	CONNECTOR w/ CLOSURE CAP	RECEPTACLE, CORROSION RESISTANT COVER & GASKET	RECEPTACLE	NEMA RECEPTACLE
<b>30A 3ø 600V, 3-P 4-W, Grounding</b>						
Yellow EPTR	28W77	L17-30P	29W77	69W77*	2740*	L17-30R
<b>30A 125/250V, Non-NEMA, 3-P 3-W, Non-Grounding, Non UL Listed - for Replacement Use Only</b>						
Yellow EPTR	28W08	Non-NEMA	29W08	69W08*	3330*	Non-NEMA
<b>30A 3øY 120/208V, Non-NEMA, 4-P 4-W, Non-Grounding, Non UL Listed - for Replacement Use Only</b>						
Yellow EPTR	28W09	Non-NEMA	29W09	69W09*	3430*	Non-NEMA
<b>30A 3øY 120/208V, 4-P 5-W, Grounding</b>						
Yellow EPTR	28W81	L21-30P	29W81	69W81*	2810**	L21-30R
<b>30A 3øY 277/480V, 4-P 5-W, Grounding</b>						
Yellow EPTR	28W82	L22-30P	29W82	69W82*	2820***	L22-30R
<b>30A 3øY 347/600V, 4-P 5-W, Grounding</b>						
Yellow EPTR	28W83	L23-30P	29W83	69W83*	2830*	L23-30R

\* Non-corrosion resistant receptacle † 30A/250V 2-P 3-W Grounding Version Available (Cat. No. 3330-G) \*\* 30A/250V , 3,A/600 3-P 4-W Grounding Version Available (Cat. No. 3430-

CONNECTOR CAPS For Black Caps, Add Suffix -B	PLUG CAPS For Black Caps, Add Suffix -B	COVER w/ GASKET For Black Covers, Add Suffix -B	BLANK PLATE w/ GASKET	FD BOX GLASS-FILLED POLYESTER (2 KO Openings)
 <b>Yellow</b> 15/20A Str.Blade & 15A Locking 50W50 20A Locking 50W52 30A Locking 50W54	 <b>Yellow</b> 15/20A Str.Blade & 15A Locking 14W 20A Locking 26W 30A Locking 28W	 <b>Yellow</b> 15/20A Str.Blade & 15A Locking 60W03 20A Locking 60W04 30A Locking 60W05	 <b>Yellow</b> WP459	 <b>Yellow</b> 1/2" 452CR 3/4" 453CR 1" 454CR



**Wetguard® Watertight Locking Plugs, Connectors & Receptacles**

# Wetguard® Competitive Specifications Reference



PLUG & CONNECTOR COMPONENTS	LEVITON WETGUARD®	COOPER
Body	Ethylene Propylene Thermoplastic Rubber	Thermoplastic elastomer
Compression nut strain relief	Nylon	Information Not Available
Wiring Module polypropylene	Thermoplastic	Glass filled Nylon and glass filled
Bushing	Ethylene Propylene Thermoplastic Rubber	Color-coded neoprene
Blades/Contacts	One-piece nickel-plated brass	Nickel-plated
Terminal clamps	Nickel-plated brass	Nickel-plated
Terminal screws	Nickel-plated # 10 Brass	Nickel-plated
Assembly screws	Non-magnetic stainless steel	stainless steel
NEMA enclosure rating	3, 3S, 4, 4X, 6, & 6P	4X, 5 & 6P
IP standards	IP66 & IP67	IP67
Cord ranges	0.375" min., - 1.125" max.	0.30" min., - 1.15" max.
Color(s)	Yellow or black	Yellow only
Operating temperature	-40C to 60C	-40C to 75C
Hose down pressure	See page 13: Testing Standards	Up to 800 PSI.*
Does not offer	Vs. Cooper: NEMA L8-20, L8-30, L10-20, L11-20, L11-30, L18-20, L19-20, L20-20, L18-30, L19-30, L20-30	Vs. Leviton: NEMA 7-15, no black plugs and connectors, FD boxes, receptacles with covers
Plug Caps	Available for all configurations in black or yellow	20 & 30A in black only. Not available for 15A straight blade and locking plugs
Replacement Connector Caps	Available for all configurations in black or yellow	20 & 30A in black only. Not available for 15A straight blade and locking plugs
Standards	UL 498, CSA, UL Fed Spec, NOM	UL 498 and CSA

\* PSI values arrived at are not clearly defined according to an actual specified standard.

PLUG & CONNECTOR COMPONENTS	LEVITON WETGUARD®	WOODHEAD
Body	Ethylene Propylene Thermoplastic Rubber	Neotex rubber
Compression nut strain relief	Nylon	Information Not Available
Wiring Module	Thermoplastic	Thermoplastic
Bushing	Ethylene Propylene Thermoplastic Rubber	Information Not Available
Blades/Contacts	One-piece nickel-plated brass	Multi-piece brass
Terminal clamps	Nickel-plated brass	Information Not Available
Terminal screws	Nickel-plated # 10 Brass	Information Not Available
Assembly screws	Non-magnetic stainless steel	Information Not Available
NEMA enclosure rating	3, 3S, 4, 4X, 6, & 6P	4, 4X, 6, 6P
IP standards	IP66 & IP67	IP65, IP66, IP67
Cord ranges	0.375" min., - 1.125" max.	.062" min., - 1.375" max."
Color(s)	Yellow or black	Yellow or black
Operating temperature	-40C to 60C	Information Not Available
Hose down pressure	See page 13: Testing Standards	Up to 1000 PSI *
Does not offer	Vs. Woodhead: NEMA 1-15, L1-15, L2-20, Non-NEMA 20A- 250V Locking, 15A/125V, 10A/250V, 20A/250V 10A 250V, and 50A versions	Has all Leviton versions
Plug Caps	Available for all configurations	Available for all configurations
Replacement Connector Caps	Available for all configurations	Available for all configurations
Standards	UL 498, CSA, UL Fed Spec, NOM	UL 498 and CSA

\* PSI values arrived at are not clearly defined according to an actual specified standard.



PLUG & CONNECTOR COMPONENTS	LEVITON WETGUARD®	ERICSON PERMA-TITE 2
Body	Ethylene Propylene Thermoplastic Rubber	PBT Thermoplastic polyester
Compression nut strain relief	Nylon	PBT Thermoplastic polyester
Wiring Module	Thermoplastic	PBT Thermoplastic polyester
Bushing	Ethylene Propylene Thermoplastic Rubber	color coded rubber
Blades/Contacts	One-piece nickel-plated brass	Nickel-plated copper alloy brass
Terminal clamps	Nickel-plated brass	Information Not Available
Terminal screws	Nickel-plated # 10 Brass	Information Not Available
Assembly screws	Non-magnetic stainless steel	stainless steel
NEMA enclosure rating	3, 3S, 4, 4X, 6, & 6P	4, 4X, 6, & 6P
IP standards	IP66 & IP67	IP67
Cord ranges	0.375" min., - 1.125" max."	Information Not Available
Color(s)	Yellow or black	Yellow only
Operating temperature	-40C to 60C	Information Not Available
Hose down pressure	See page 13: Testing Standards	1000 PSI *
Does not offer	Vs. Ericson: L18-30, non-NEMA 15A/125V-10A/250V, 20A/125V-10A/600V and single receptacle for L18-30 and 20A/125V-10A/600V	Vs. Leviton: No black devices, No NEMA 7-15, Non-NEMA 20A 3Ph. Y, NEMA L21-20, L22-20, or L23-20.
Plug Caps	Available for all configurations in yellow or black	Available for 15A straight blade & locking, and 20A straight blade only. Yellow only.
Replacement Connector Caps	Available for all configurations in yellow or black	Not available separately
Standards	UL 498, CSA, UL Fed Spec, NOM	UL 498 and CSA

\* PSI values arrived at are not clearly defined according to an actual specified standard.

PLUG & CONNECTOR COMPONENTS	LEVITON WETGUARD®	HUBBELL WATERTIGHT ELASTOGRIP
Body	Ethylene Propylene Thermoplastic Rubber	Elastomer
Compression nut strain relief	Nylon	Nylon
Wiring Module	Thermoplastic	Clear polycarbonate
Bushing	Ethylene Propylene Thermoplastic Rubber	Information Not Available
Blades/Contacts	One-piece nickel-plated brass	Brass
Terminal clamps	Nickel-plated brass	Nickel plated steel
Terminal screws	Nickel-plated # 10 Brass	Brass/Ni Plated Neutral
Assembly screws	Non-magnetic stainless steel	steel zinc plated
NEMA enclosure rating	3, 3S, 4, 4X, 6, & 6P	none
IP standards	IP66 & IP67	IP55
Cord ranges	0.375" min., - 1.125" max.	0.300" min., - 0.655" max."
Color(s)	Yellow or black	yellow only
Operating temperature	-40C to 60C	-40C to 75C
Hose down pressure	See page 13: Testing Standards	Information Not Available
Does not offer	Vs. Hubbell: None	Vs. Leviton: Hubbell has limited offering; Only has 6 catalog numbers. NEMA 5-15R/P, 5-20R/P, L5-15R/P (Remove NEMA configurations)
Plug Caps	Available for all configurations	No plug caps available.
Replacement Connector Caps	Available for all configurations	No replacement connector caps available.
Standards	UL 498, CSA, UL Fed Spec, NOM	UL 498 and CSA





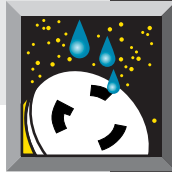


# Wetguard® Cross Reference

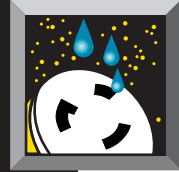


Wetguard® Cross Reference

LEVITON	WOODHEAD	HUBBELL	COOPER	P&S	ERICSON
14W	14W			14WPS	15PW
14W-B	14W-BLK				
14W33	14W33	HBL14W33	14W33	14W33	1512-PW6P
14W34	14W34				
14W47	14W47	HBL14W47	14W47	14W47	1510-PW6P
14W47-B	14W47-BLK				
14W48	14W48		14W48	14W48	1516-PW6P
14W49	14W49		14W49	14W49	1514-PW6P
15W33	15W33	HBL15W33	15W33	15W33	1612-CW6P
15W34	15W34				
15W47	15W47	HBL15W47	15W47	15W47	1610-CW6P
15W47-B	15W47-BLK				
15W48	15W48		15W48	15W48	1616-CW6P
15W49	14W49		15W49	15W49	1614-CW6P
24W34	24W34		24W34	24W34	1524-PW6P
24W47	24W47	HBL24W47	24W47	24W47	1520-PW
24W49	24W49		24W49		1522-PW6P
25W34	25W34		25W34	25W34	1624-CW
25W47	25W47	HBL25W47	25W47	25W47	1620-CW6P
25W49	25W49		25W49		1622-PW
26W	26W		20PW		
26W-B	26W-BLK				
26W08	26W08		AH9965PW		2316-PW
26W09	26W09		AH7411PW		
26W47	26W47		L520PW		2310-PW
26W47-B	26W47-BLK				
26W48	26W48		L620PW		2312-PW
26W49	26W49		L720PW		2314-PW
26W74	26W74		L1420PW		2320-PW
26W75	26W75		L1520PW		2322-PW
26W76	26W76		L1620PW		2324-PW
26W81	26W81		L2120PW		
26W81-B	26W81-BLK				
26W82	26W82		L2220PW		
26W83	26W83		L2320PW		
27W08	27W08		AH7314CW		2416-CW
27W09	27W09		AH7413CW		
27W47	27W47		L520CW		2410-CW
27W47-B	27W47-BLK				
27W48	27W48		L620CW		2412-CW
27W49	27W49		L720CW		2414-CW
27W74	27W74		L1420CW		2420-CW
27W75	27W75		L1520CW		2422-CW
27W76	27W76		L1620CW		2424-CW
27W81	27W81		L2120CW		
27W81-B	27W81-BLK				
27W82	27W82		L2220CW		
27W83	27W83		L2320CW		
28W	28W		30PW		
28W-B	28W-BLK				
28W08	28W08		AH3331PW		2516-PW
28W09	28W09		AH3431PW		2528-PW
28W47	28W47		L530PW		2510-PW
28W47-B	28W47-BLK				
28W48	28W48		L630PW		2512-PW
28W49	28W49		L730PW		2514-PW
28W74	28W74		L1430PW		2520-PW
28W75	28W75		L1530PW		2522-PW
28W76	28W76		L1630PW		2524-PW
28W77	28W77		L1730PW		2526-PW
28W81	28W81		L2130PW		



LEVITON	WOODHEAD	HUBBELL	COOPER	P&S	ERICSON
28W82	28W82		L2230PW		
28W83	28W83		L2330PW		
29W08	29W08		AH3333CW		2616-CW
29W09	29W09		AH3433CW		2628-CW
29W47	29W47		L530CW		2610-CW
29W47-B	29W47-BLK				
29W48	29W48		L630CW		2612-CW
29W49	29W49		L730CW		2614-CW
29W74	29W74		L1430CW		2620-CW
29W75	29W75		L1530CW		2622-CW
29W76	29W76		L1630CW		2624-PW
29W77	29W77		L1730CW		2626-CW
29W81	29W81		L2130CW		
29W82	29W82		L2230CW		
29W83	29W83		L2330CW		
452CR	452				
453CR	453				
454CR	454				
50W50	50W50			50W50PS	1629-CW
50W50-B	50W50-BLK				
50W52	50W52		20CW		
50W52-B	50W52-BLK				
50W54	50W54		30CW		
50W54-B	50W54-BLK				
60W03	6500		WLRS-1		2700FS
60W03-B	"6500-BLK, 6503-BLK"				
60W04	6700		WLRS-2		2800FS
60W04-B	"6700-BLK, 6703-BLK"				
60W05	6900				2900FS
60W05-B	"6900-BLK, 6903-BLK"				
60W33	60W33				2715-FS12
60W47	60W47				2715-FS10
60W48	60W48				2715-FS16
60W49	60W49				2715-FS14
65W34	65W34				2715-FS24
65W47	65W47				2715-FS20
65W49	65W49				2715-FS22
67W08	67W08				2820-FS16
67W09	67W09				
67W47	67W47				2820-FS10
67W48	67W48				2820-FS12
67W49	67W49				2820-FS14
67W74	67W74				2920-FS20
67W75	67W75				2920-FS22
67W76	67W76				2920-FS24
67W81	67W81				
67W82	67W82				
67W83	67W83				
69W08	69W08				2830-FS16
69W09	69W09				
69W47	67W47				2830-FS10
69W48	69W48				2830-FS12
69W49	69W49				2830-FS14
69W74	69W74				2930-FS20
69W75	69W75				2930-FS22
69W76	69W76				2930-FS24
69W77	69W77				2930-FS26
69W81	69W81				
69W82	69W82				
69W83	69W83				
WP459	459				



## Testing Standards

### About PSI Ratings

PSI is an abbreviation for pounds per square inch. With respect to water washdowns in processing plants and industrial marinas, a PSI value should specify the distance from the nozzle at which the value was taken. Consider the following situation: 1,000 psi measured 2 inches from the plug/connector or 2 ft. from the plug/connector will deliver dramatically different forces.

*Leviton Wetguard devices are tested and exceed IEC and UL watertight standards. These independent tests have defined parameters as noted below:*

### IEC IP Water Penetration Test:

Water is sprayed from a distance of 3 meters and at a rate of 100 liter/minute on a joined plug and connector using a 12.5mm diameter nozzle. The water spray is directed at the connector/plug joint and cable entries.

**Result:** Wetguard Plugs and Connectors are rated to IP67 when connected.

### UL NEMA Water Penetration Test:

Water is sprayed from a distance of 12 ft. and at a rate of 65 gallons/minute on a joined plug and connector using a 1 inch diameter nozzle. The water spray is directed at the connector/plug joint and cable entries.

**Result:** Wetguard Plugs and Connectors are rated to NEMA 4X, 6, and 6P when connected.



### UL & IEC TEST LISTING

Wetguard devices are tested per environmental condition as specified in UL Standard 50 and IEC 529 IP ratings, while connected or protected by closure covers (connector only).

#### UL Standard 50

Wetguard devices are tested per NEMA 4, 4X, 6 and 6P (and comply with Designation Type 3 and 3S)

**#4** Indoor or Outdoor use primarily to provide a degree of protection against windblown dust and rain, splashing water, and hose directed water (1" Nozzle, 65 gallons per minute at a distance of 10-12 ft., for 5 minutes.)

**#4x** Same as #4, in addition to provide a degree of protection against corrosion: 200 hour salt fog spray

**#6** Indoor or Outdoor use primarily to provide a degree of protection against hose directed water, the entry of water during occasional temporary submersion at limited depth (submersion duration to be 30 minutes at a depth of 6 ft.).

**#6P** Same as #6 except: submersion duration to be 24 hours.



The Wetguard i-Bulletin provides detailed product testing information along with "real-life" video footage of products being subjected to a variety of UL, NEMA and IEC tests.

To view, go to [www.leviton.com](http://www.leviton.com) click on Product Information, click on Plugs & Connectors and then click on the Wetguard i-Bulletin.

## North American Watertight IEC 309-I & 309-2 Devices Also Available

The complete IEC 309-1 and 309-2 system of plugs, connectors, inlets and mechanical interlock devices can be used for both retrofit and new installations enhancing safety and performance in critical power connections.

PowerSwitch Mechanical Interlock devices incorporate a disconnect safety switch and IEC receptacle in a non-metallic watertight enclosure. The interlock mechanism prevents making and breaking of power under load. "The switch cannot be actuated to the ON position until an IEC compatible plug is fully inserted, and the plug cannot be removed until the switch is in the OFF position."

For additional information, go to [www.leviton.com](http://www.leviton.com), click on Product Information, click on PDF library, scroll down to Industrial Wiring Device Catalog, Section J.







## NEMA and IEC Enclosure Classifications

### Comparing NEMA Enclosure Classification

#### NEMA

Enclosures serve the dual purpose of protecting personnel from incidental contact with the enclosed electrical equipment and protecting the enclosed equipment against specified environmental conditions. Enclosures are rated for use in specific environmental conditions by NEMA, UL, CSA and the IEC. The major rating systems used are the NEMA Type Numbers and the IEC Enclosure Classification Designation.

NEMA Standards Publication 250 defines the NEMA Enclosure Type Numbers. Unlike the IEC Enclosure Classification Designations, NEMA Standards Publication 250 does tests for environmental condition such as corrosion, rust, icing, oil and coolants. For this reason and because the tests and evaluations for other characteristics are not identical, the IEC Enclosure Classification Designations cannot be exactly equated with NEMA Enclosure Type Numbers.

The table below provides an equivalent conversion from NEMA Enclosure Type Numbers to IEC Enclosure Classification Designations. Note that the NEMA Types meet or exceed the test requirements for the associated IEC Classifications. Therefore, this table cannot be used to convert from IEC Classifications to NEMA Types.

### Converting NEMA Type Numbers to IEC Classification Designations

(Note: This table cannot be used to convert IEC classification designations to NEMA type numbers)

NEMA Type Enclosure	Equivalent IEC Enclosure
1	IP10
2	IP11
3	IP54
3R	IP14
3S	IP54
4 and 4X	IP56
5	IP52
6 and 6P	IP67
12 and 12K	IP52
13	IP54

### UL 50 NEMA Enclosure Types (Partial List)

Type	Description
<b>Type 4</b>	Indoor or outdoor use primarily to provide a degree of protection against windblown dust and rain, splashing water, hose-directed water, and damage from external ice formation.
<b>Type 4X</b>	Indoor or outdoor use primarily to provide a degree of protection against corrosion, windblown dust and rain, splashing water, hose-directed water and damage from external ice formation.
<b>Type 6</b>	Indoor or outdoor use primarily to provide a degree of protection against hose-directed water, the entry of water during occasional temporary submersion at a limited depth, and damage from external ice formation.
<b>Type 6P</b>	Indoor or outdoor use primarily to provide a degree of protection against hose-directed water, the entry of water during prolonged submersion at a limited depth, and damage from external ice formation.

## The IEC Enclosure Classification Designation — IP Suitability Ratings

The IP Suitability Ratings are a system for classifying the degree of protection provided by enclosures of electrical equipment. The higher the number in the rating, the greater the degree of protection provided by the enclosure. Note that the rating will ONLY apply to properly installed equipment. The chart below defines the numerals in the IP Code.

- The First Numeral indicates the degree of protection for persons against access to hazardous parts inside the enclosure and/or against the ingress of solid foreign objects
- The Second Numeral indicates the degree of protection of equipment inside enclosures against damage from the ingress of water.

### ELEMENTS OF THE IP CODE

Meaning for the Protection of Equipment		
Code Letters	First Number	Second Number
Ingress Protection Against	Ingress of Solid Foreign Objects	Against Ingress of Water with Harmful Effects
IP	0 – Non-protected	0 – Non-protected
	1 – ≥ 50 mm diameter	1 – Vertically dripping
	2 – ≥ 12.5 mm diameter	2 – Dripping (15 °tilted)
	3 – ≥ 2.5 mm diameter	3 – Spraying
	4 – ≥ 1.0 mm	4 – Splashing
	5 – Dust-protected	5 – Jetting
	6 – Dust-tight	6 – Power jetting
	–	7 – Temporary immersion
–	8 – Continuous immersion	

The IP Suitability Rating defined by IEC 529 does not specify any degree of protection against mechanical damage of equipment, risk of explosions, or conditions such as moisture (i.e. condensation), corrosive vapors, fungus, or vermin.

Note: > denotes greater than or equal to.

Example: IP 54 Suitability Rating = Ingress Protection/Dust-protected/Splashing



For the complete line of industrial wiring devices, request catalog IPD-2.05.



**Leviton Manufacturing Co., Inc.**

59-25 Little Neck Parkway, Little Neck, NY 11362-2591  
Telephone: 1-800-323-8920 • FAX: 1-800-832-9538  
Tech Line (8:00AM-7:30PM E.S.T. Monday-Friday): 1-800-824-3005

**Leviton Manufacturing of Canada, Ltd.**

165 Hymus Boulevard, Pointe Claire, Quebec H9R 1E9  
Telephone: 1-800-469-7890 • FAX: 1-800-563-1853

**Leviton S.A. de C.V.**

General Arista 54-A Col. Argentina, Mexico D.F., C.P. 11270  
Telephone: 011-525-386-1131, 011-525-386-2052 • FAX: 011-525-386-1797

**Visit us on the web at: [www.leviton.com](http://www.leviton.com)**

